

EASY LIFT 50-23AJ

CAPABILITY

- 50' working height
- 23' unrestricted horizontal reach
- 507 lbs lift capacity
- Smallest footprint on the market by far
- Super narrow at 32"
- Short overall length to fit elevator

STANDARD FEATURES

- Lightweight aluminum detachable basket
- Wired remote control
- Hydraulic variable width carriage 43.5"
- Basket rotation
- Movement alarm
- Black deep tread rubber tracks
- Articulated jib operational at full capacity
- AC power to basket
- Air-Water line to basket
- Proportional controls
- Hour meter
- Manual emergency descent system

OPTIONS AND ACCESSORIES

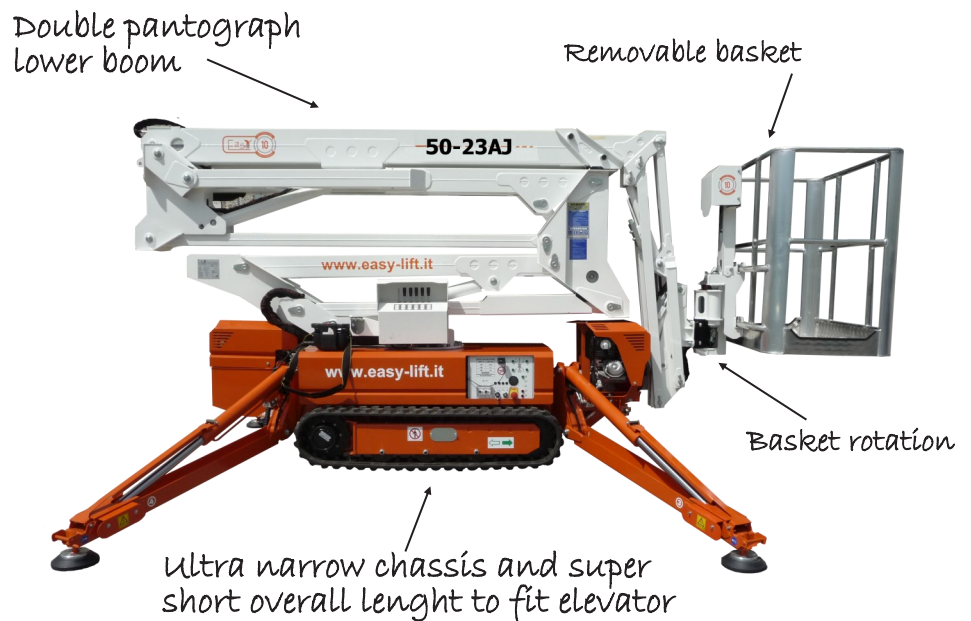
- Emergency descent electric pump 12V
- Automatic self leveling for outriggers
- Radio remote control
- Non-marking soft rubber tracks
- Special painting
- Working lamp on basket
- One Man fiberglass basket
- Two Men fiberglass basket
- Outriggers "sinking" alarm
- Teflon pads kit (4) for stabilizers;
- Strobe light (beacon)
- Winter start kit

MANY CONFIGURATIONS FOR YOUR NEEDS

- Honda gas + electric AC motor
- Hatz diesel + electric AC motor
- Honda propane + electric AC motor
- Tri-fuel; gas/propane/electric AC
- Lithium Ion battery + ultra fast charger
- Lithium Ion + gas engine + AC
- Lithium Ion + gas + propane + AC

PRODUCTIVITY

- Top mount lifting points for crane
- 5 feet articulated jib @ 507 lbs
- High departure angle for climbing
- High speed operational boom
- Standard jib raising enable while driving
- 360° turret rotation
- Double speed pump for faster movements



SAFETY

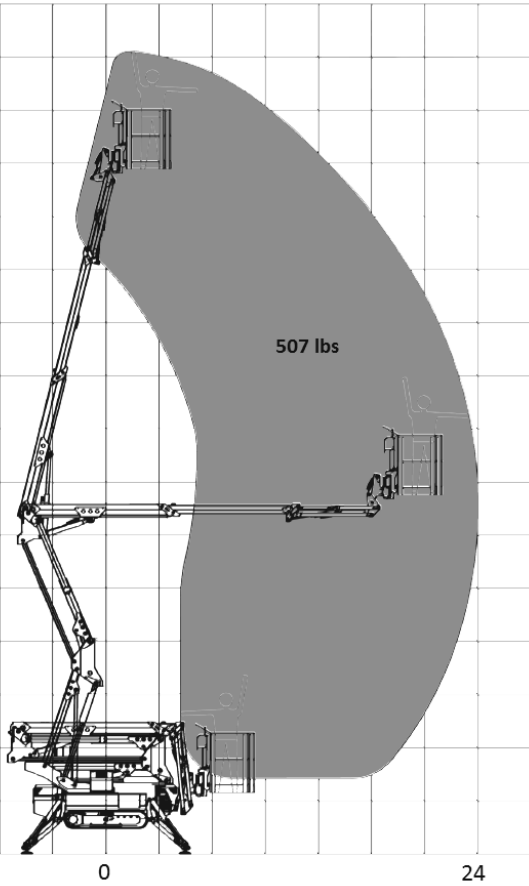
- Stability management system
- Easy to read operational pilot lamps
- Wind safe up to 28Mph (45Kph)
- Solid state simple electrical components
- Proportional hydraulic joystick controls for intuitive and precise boom movements
- Smooth and automatic basket leveling
- Harness anchor points

RELIABILITY

- High tensile steel boom Domex SSAB
- Standard high quality components like Sauer Danfoss, Telemecanique, Finder
- External power track for easier inspection and replacement of components
- External adjustable telescopic boom wear pads; no shimming required
- High quality powder coat paint

EASY LIFT 50-23AJ

WORKING AREA

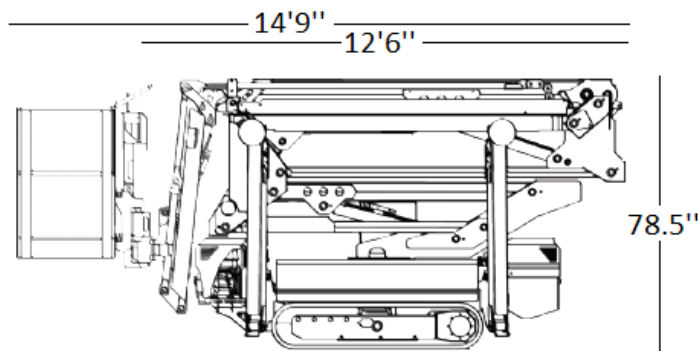


DIMENSIONS

• Working height	50'
• Articulated jib length	5'
• Basket capacity at full height	507 lbs
• Maximum horizontal side reach	23'
• Minimum length	
	without basket 12'-6"
	travel position 14'-9"
• Overall width carriage retracted	32"
• Overall width carriage extended	43.5"
• Basket dimensions (L x W x H)	
	Aluminum 54" x 29"
	One man fiber 30" x 28"
	Two men fiber 44" x 28"
• Turret rotation	360 degrees
• Max slope travel ability	17 Deg or 32%
• Outriggers footprint	10'-3" X 10'-4"
• Total weight diesel	4 409lbs



SIDE VIEW



TOP VIEW

